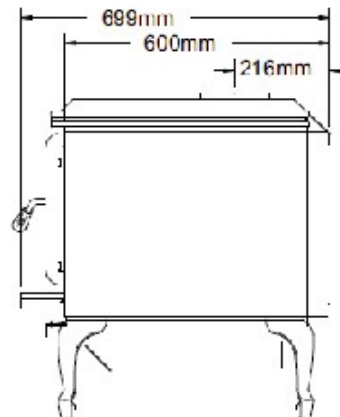
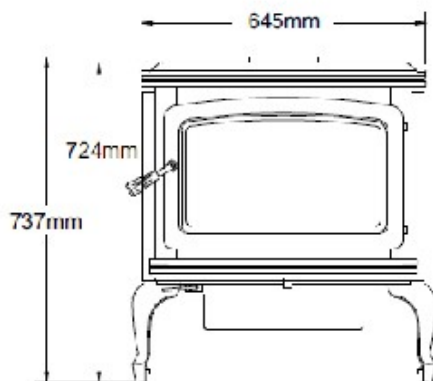
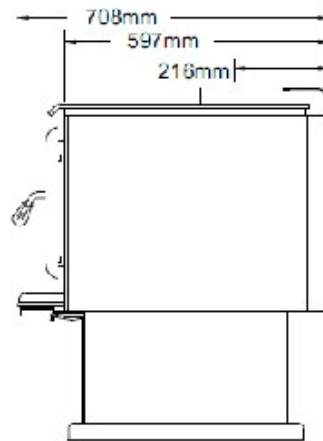
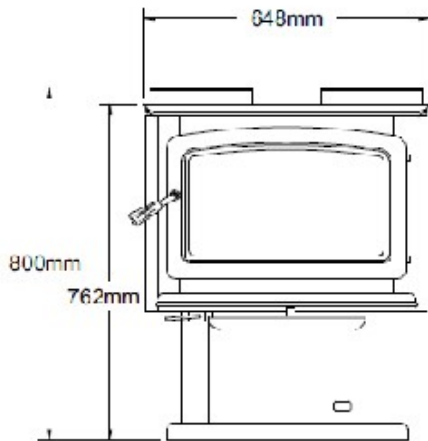


Summit



Clearances

| | |
|--------|-------|
| Rear | 175mm |
| Side | 250mm |
| Corner | 150mm |

| | |
|------------|---------------------|
| Heats | 280m ² |
| Efficiency | 3 Star (64%) |
| Emissions | 4.5 Star (1.1 grms) |